

# Strauss KLT

Wireless weather station



## Main characteristics

- 230 V/50 Hz
- Radio-based transmission 433.92 MHz
- Sun/wind sensors included

## Specific features

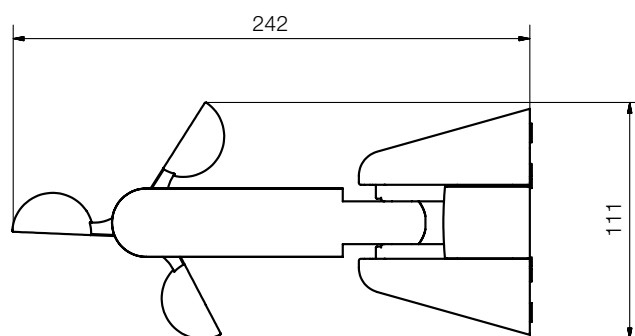
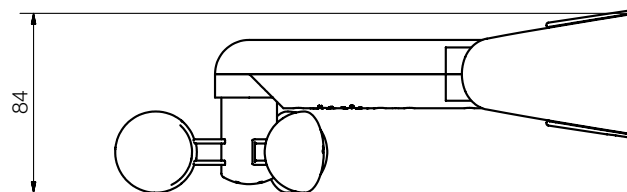
Weather device for controlling awning movement automatically according to weather conditions.

Adjustable intervention threshold for the sun and wind sensors.

LED showing the type of alarm that has been set off.

Swivel adjustment bracket.

STRAUSS KLT dimensions



# Strauss KLT

## Wireless weather station



KDEP#TENOPA4S112



### Technical information

#### STRAUSS KLT

Wireless weather station with sensors included.

#### 001YE0108 - STRAUSS KLT SW

Wireless sun/wind weather station.

<b>Power supply (V/Hz)</b>	230 V AC / 50 Hz
<b>Frequency (MHz)</b>	433.92
<b>Radio coding</b>	24 bit
<b>Range (m)</b>	100 m outdoors - 20 m indoors
<b>Protection rating (IP)</b>	IP 44
<b>Temperature of use (°C)</b>	-20° / +55°
<b>Dimensions (mm)</b>	84x242x111
<b>Weight (g)</b>	224

#### WIND SENSOR

<b>Wind sensor adjustment levels (km/h)</b>	4 intervention levels: 5 - 15 - 25 - 40
<b>Early warning</b>	after 120 h with no wind

#### SUN SENSOR

<b>Sun sensor adjustment levels (klux)</b>	4 intervention levels: 15 - 30 - 45 - 60
<b>Sun sensor exclusion</b>	level 0

## Compatible with Strauss KLT

- Tubular motors with radio-based electronic limit switch
- Tubular motors with mechanical limit switch and built-in radio receiver
- Compatible with all receivers, including CHOPIN KLT.

## Typical uses

- Awnings
- Sun screens blinds



www.came.com