

# Klimt SH5

Ø 45 mm



## Main characteristics

- 230 V AC - 50 Hz
- Electronic limit switch
- Built-in 433.92 MHz radio receiver
- Obstacle detector in both directions



Shutters



Obstacle  
detection



Radio-  
based



Full  
automatic

## Specific features

### ESPECIALLY FOR SHUTTERS.

Universal head for applying any type of anchoring plate.

Adjustment of the middle endpoint (partial opening) possible.

Wired button can be connected with step-by-step command.

If an obstacle is detected while descending, the direction of movement is reversed.

Connection cable included: 2.5 m.

Programming window activation button.

FULL AUTOMATIC setting up to 20 Nm.

## Control accessories



### TRANSMITTERS/ TIMERS

Transmitters with  
1-2-5-15 channels.  
Timers with 1-5 channels.



detail of the output shaft



special pulley

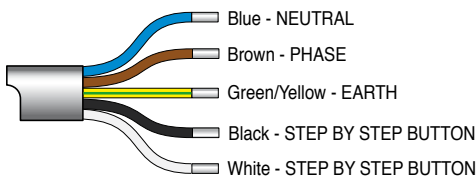
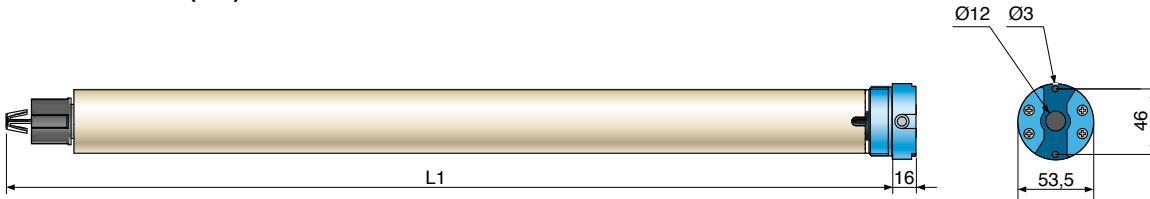
# Klimt SH5

Ø 45 mm



KDEP#TEN3GA4S112

## Dimensions (mm)



## Klimt SH5



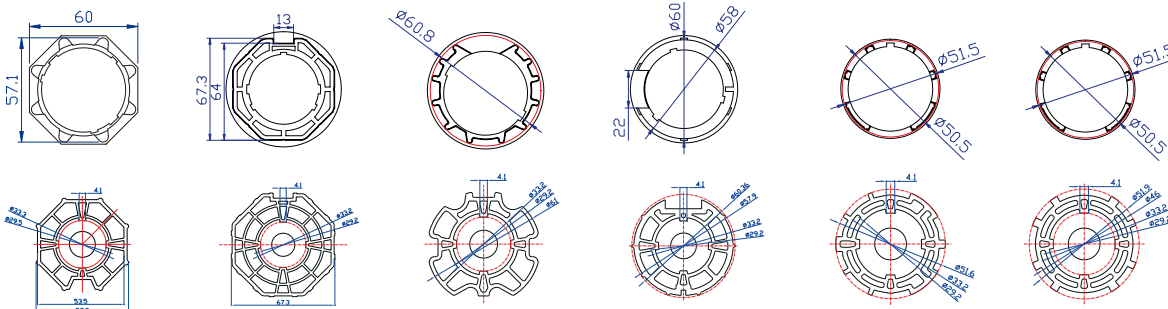
| CODE | 001Y5010A151KLS | 001Y5010A261KLS | 001Y5020A151KLS | 001Y5030A151KLS | 001Y5040A151KLS | 001Y5050A121KLS |
|------|-----------------|-----------------|-----------------|-----------------|-----------------|-----------------|
|------|-----------------|-----------------|-----------------|-----------------|-----------------|-----------------|

## Technical information

|                                       |           |           |           |           |           |           |
|---------------------------------------|-----------|-----------|-----------|-----------|-----------|-----------|
| Torque (Nm)                           | 10        | 10        | 20        | 30        | 40        | 50        |
| Speed RPM (turns/min)                 | 15        | 26        | 15        | 15        | 15        | 12        |
| Hoisted weight (kg)*                  | 18        | 18        | 36        | 55        | 74        | 92        |
| Limit switch turns (turns)            | -         | -         | -         | -         | -         | -         |
| Duration of operation (min)           | 4         | 4         | 4         | 4         | 4         | 4         |
| Power draw (A)                        | 0.48      | 0.69      | 0.69      | 0.87      | 0.99      | 0.99      |
| Power (W)                             | 113       | 161       | 161       | 200       | 228       | 228       |
| Protection rating (IP)                | 44        | 44        | 44        | 44        | 44        | 44        |
| Tube length (mm) = L1                 | 604       | 604       | 604       | 654       | 654       | 654       |
| Weight (kg)                           | 2.21      | 2.36      | 2.29      | 2.6       | 2.7       | 2.85      |
| Package dimensions (mm)               | 660x80x80 | 660x80x80 | 660x80x80 | 710x80x80 | 710x80x80 | 710x80x80 |
| Weight of packaged motor (kg)         | 2.47      | 2.71      | 2.64      | 3.0       | 3.1       | 3.25      |
| Cable length (m)                      | 2.5       | 2.5       | 2.5       | 2.5       | 2.5       | 2.5       |
| Cable cross-section (mm) <sup>2</sup> | 5G 0.75   | 5G 0.75   | 5G 0.75   | 5G 0.75   | 5G 0.75   | 5G 0.75   |

\* Load calculated for 50 mm roller.

## Special adaptors for the SH version



|                          |                          |                         |                             |                           |                             |
|--------------------------|--------------------------|-------------------------|-----------------------------|---------------------------|-----------------------------|
| 001YK5104S               | 001YK5105S               | 001YK5112S              | 001YK5115S                  | 001YK5116S                | 001YK5134S                  |
| Octagonal<br>59 x 0.7 mm | Octagonal<br>70 x 1.2 mm | Z.F. round<br>64 x 1 mm | DEPRAT ogive<br>62 x 0.6 mm | Z.F. round<br>54 x 0.5 mm | DEPRAT round<br>53 x 0.6 mm |

PRODUCTS



www.came.com